



GENERATOR MONITORING UNIT

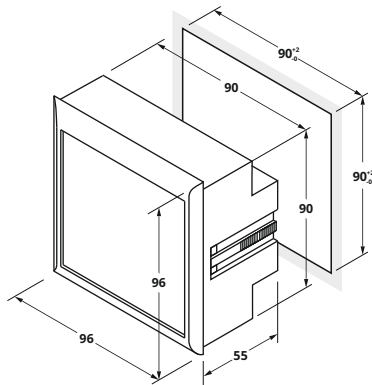
Counter & LED Display | Pulse Output

GENERATOR MONITORING DEVICE WITH DUAL DISPLAY!

Features:

- Dual display: kWh 6½ Digits counter, VAF 4 Digits LED (GD 3110) - Reduces the need of multiple meters
- Simultaneous display of kWh and V or A or Hz.
- Displays kWh and VLL, VLN, A (Average and Phasewise), Hz.
- CT, PT settings through front panel keys. No DIP switch settings hassles (One common CT, PT settings for all parameters)
- Programmable for Single phase and Three phase applications
- Forward kWh integration even with incorrect CT polarities connections (Reverse lock option)
- Optional 50A, 100A or 200A hanging CT (ID is 25 mm)
- Reduces cost and simplifies panel wiring
- Suitable for Generator applications

Mechanical Specification:



Technical Specification:

Specification	Description
Accuracy:	Class 1 (Default) as per IEC 62053-21. Class 0.5 (Optional)
Sensing/ Measurement:	True RMS, 1 Sec update time for VAF. 4 Quadrant with forward kWh accumulation
Input Voltage:	4 Voltage inputs (V ₁ V ₂ V ₃ V _N). Programmable 110 or 415V LL. Nominal (Range 80 to 550V LL). Primary Programmable up to 999 kV. Burden: 0.2VA Max. per phase
Input Frequency:	45 - 65 Hz
Input Current:	Current inputs (A ₁ A ₂ A ₃) 50mA - 6A (Field configurable 1A or 5A) Primary programmable up to 99 kA. Overload: 10A max continuous, 50A max for 3 Sec. Burden: 0.2VA Max. per phase
Aux-Supply (control power):	80 - 300V AC/DC. Burden: 4VA.
Display resolution:	Stepper counter 6½ Digits for kWh, 10mm height, bright red LED display for VAF.
Display type:	10mm height, bright red LED display
CT Ratio:	2000 MVA programmable
Weight:	Unpacked: 300 gms, Packed: 400 gms
Torque	1 N-m
Wire gauge	11 AWG

Ordering Information:

- Accuracy Class 1.0
- Accuracy Class 0.5 (Optional)
- Pulse Output (Optional)
- Tamper Proof (Optional)

Multiplication factor for counter based energy mode

Full Scale in Watts : $\sqrt{3} \times V_{Pri} \times A_{Pri}$	0.1k to 1.0k	1.01k to 10k	10.1k to 100k	100.1k to 1000k	1M to 10 M	10 M to 100 M	100M to 1000M
Multiplication Factor:	0.01	0.1	1.0	10	100	1000	10000
Unit of display	kWh			MWh		GWh	